

Homepage 3

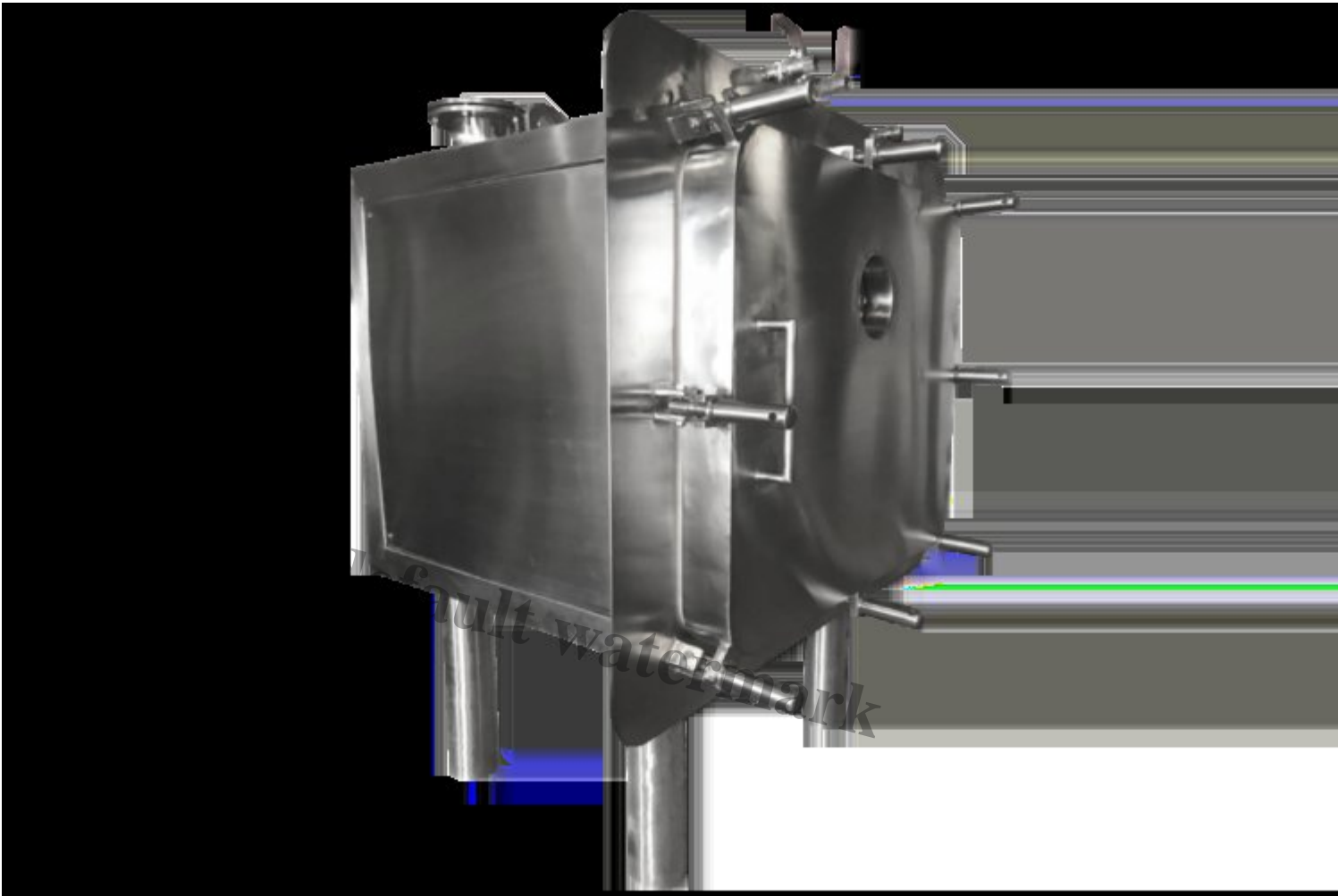
Description

[vc_row css=vc_custom_1773052392849{padding: 20px !important;}][vc_column width=1/3 css=vc_custom_1773052467270{padding: 5px !important;}][vc_column width=1/3 css=vc_custom_1773052481030{padding: 5px !important;}][vc_column width=1/3 css=vc_custom_1773052490950{padding: 5px !important;}][vc_row][vc_row css=vc_custom_1772256508315{padding: 20px !important;}][vc_column][vc_column_text]

Pharma Basix

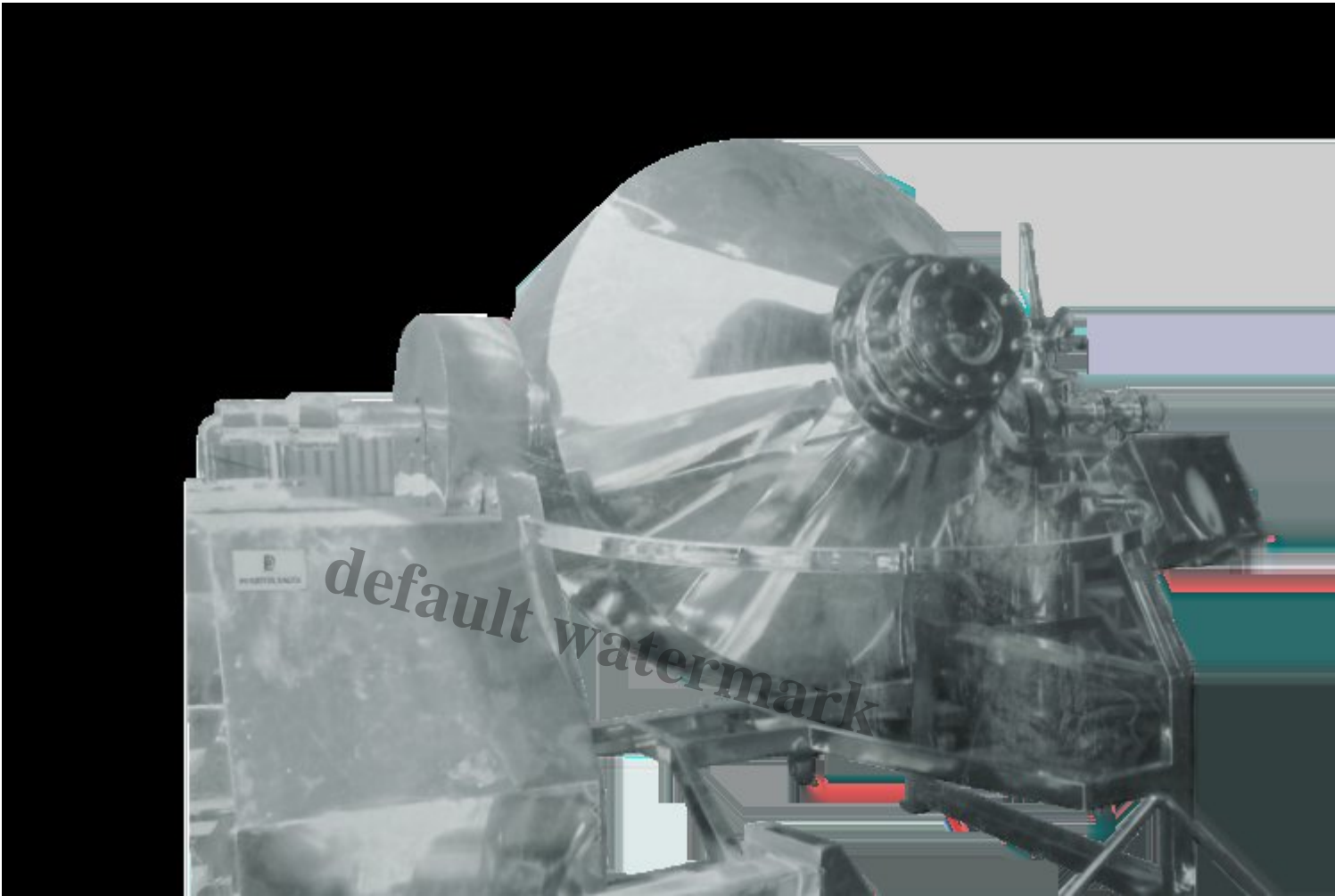
Design & Manufacturers Of Process Equipments

Pharma Basix is engaged in the design and manufacture of high-performance equipment for the pharmaceutical, chemical, and food processing industries, engineered with a strong emphasis on precision, safety, and GMP compliance. Our comprehensive product range includes Vacuum Tray Dryers, Rotocone Vacuum Dryers, Fluid Bed Dryers, Tray Dryers, Multi Mills, Vibro Sifters, Double Cone Blenders, Octagonal Blenders, Ribbon Blenders and Mass Mixers each developed to optimize production efficiency, deliver uniform processing, and meet stringent quality standards. With a commitment to reliability, consistent operational performance, and regulatory adherence, we provide durable and customized solutions that address the evolving requirements of pharma, chemical, and food manufacturers.



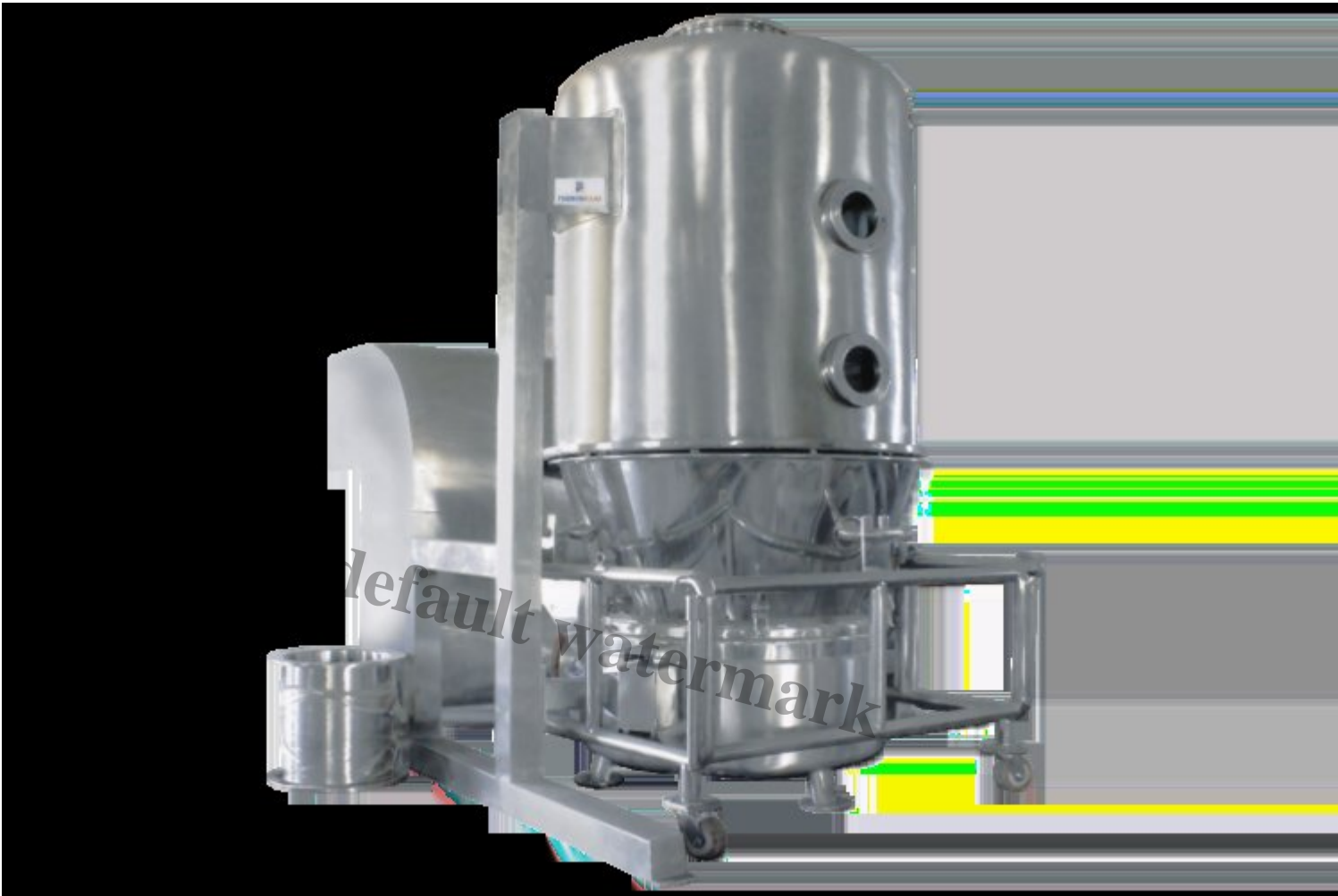
[Vacuum Tray Dryer](#)

[More](#)



[Rotocone Vacuum Dryer](#)

[More](#)



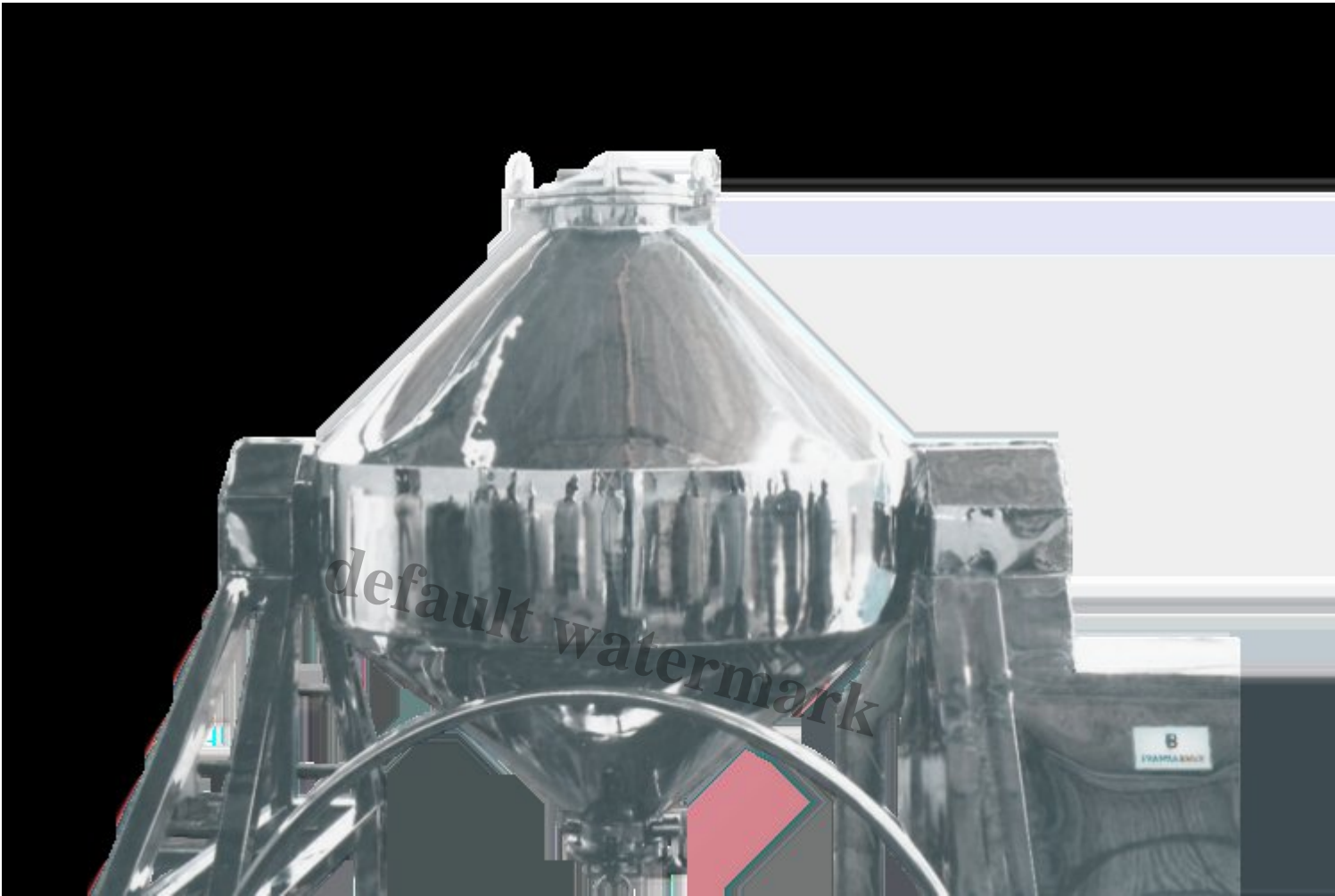
[Fluid Bed Dryer](#)

[More](#)



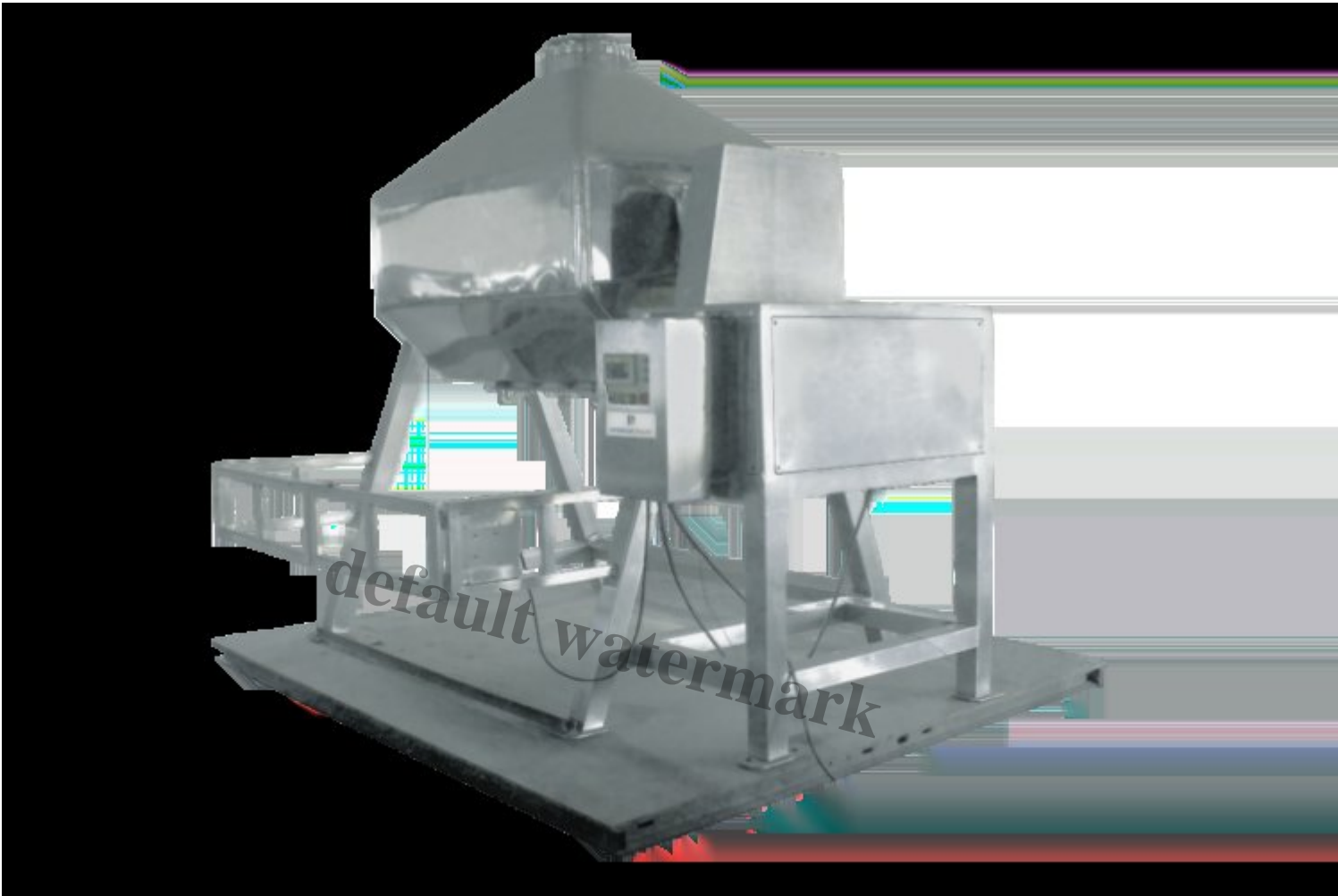
[Tray Dryer](#)

[More](#)



[Double Cone Blender](#)

[More](#)



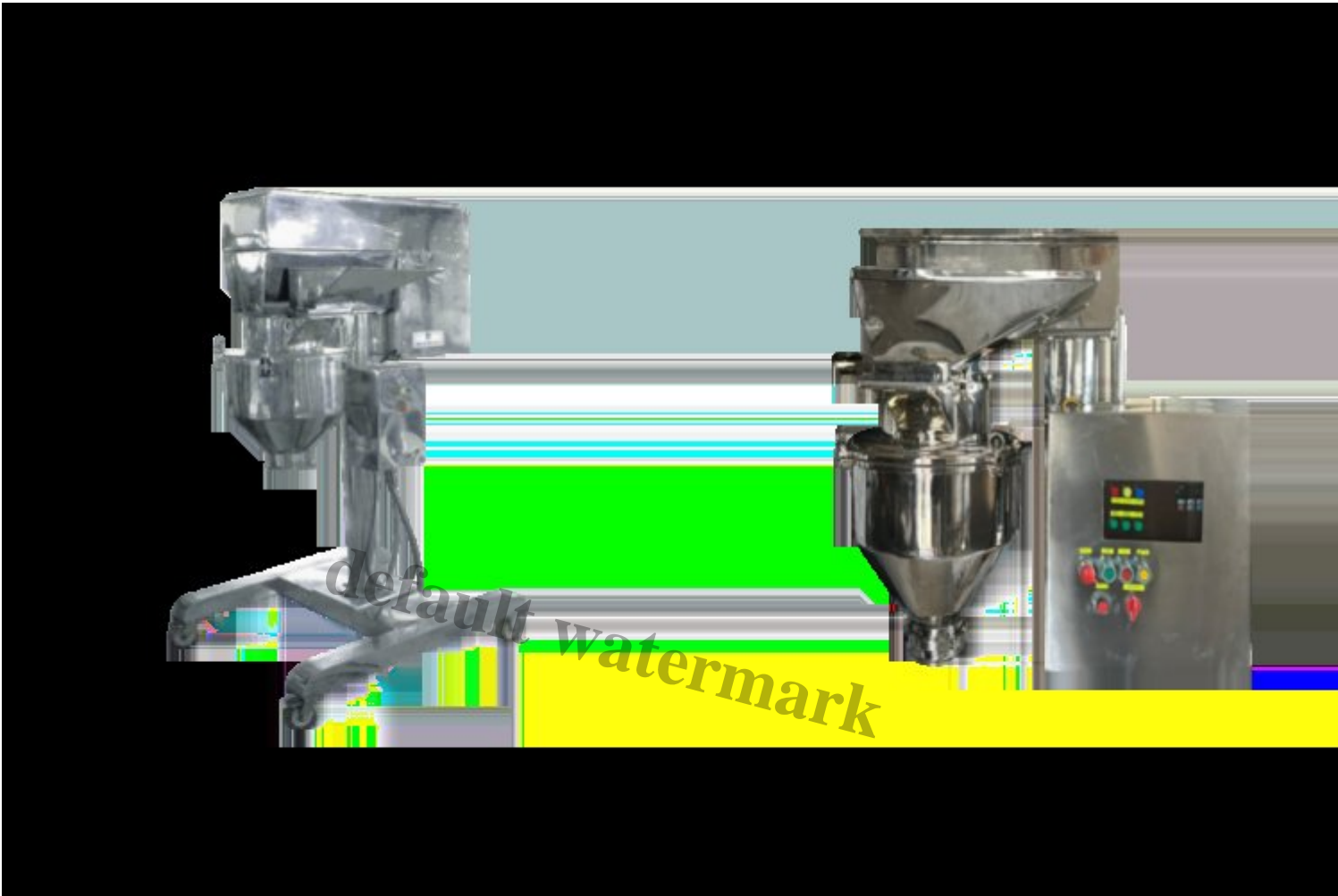
[Octagonal Blender](#)

[More](#)



[Vibro Sifter](#)

[More](#)



[Multi Mill](#)

[More](#)

[/vc_column][vc_row][vc_row cspt-bg-color=white cspt-responsive-css=19833902|colbreak_no|||||colbreak_yes|||||colbreak_no|||||50|colbreak_no|||||]â• css=â• .vc_custom_1772273054228{padding-top: 20px !important;padding-right: 20px !important;padding-bottom: 20px !important;padding-left: 20px !important;}â•][vc_column width=â•1/2â•³ css=â• .vc_custom_1772446941195{padding-right: 15px !important;}â•][vc_column_text]

We have successfully delivered precision-engineered equipment solutions tailored to pharma and Chemical production environments.

[/vc_column_text][vc_row_inner][vc_column_inner width=â•1/3â•³][vc_column_inner][vc_column_inner width=â•1/3â•³][vc_column_inner][vc_column_inner width=â•1/3â•³][vc_row_inner][vc_column][vc_column width=â•1/2â•³][vc_single_image image=â•322â•³ img_size=â•fullâ•][/vc_column][vc_row][vc_row cspt-text-color=white cspt-bg-color=blackish full_width=â•stretch_rowâ• cspt-responsive-css=33508315|colbreak_no||||50px|45px|50px|45px|colbreak_no|||||colbreak_no|||||colbreak_no|||||]â•][vc_column css=â•.vc_custom_1645849447529{padding-right: 0px !important;padding-left: 0px !important;}â•][vc_row_inner content_placement=â•middleâ• css=â•.vc_custom_1772274127359{padding: 20px !important;}â•][vc_column_inner width=â•5/12â•³

offset=â?•vc_col-lg-3 vc_col-md-5â?³][vc_column_inner][vc_column_inner cspt-zindex=â?•2â?³ cspt-
bg-image-position=â?•center-centerâ?• width=â?•6/12â?³][vc_single_image image=â?•225â?³
img_size=â?•fullâ?•][vc_column_inner][vc_column_inner width=â?•5/12â?³ offset=â?•vc_col-lg-3
vc_col-md-5â?³][vc_column_inner][vc_row_inner][vc_column][vc_row][vc_row cspt-bg-color=â?•
lightâ?• full_width=â?•stretch_row_content_no_spacesâ?• gap=â?•30â?³ css=â?•
.vc_custom_1772278472741{padding: 20px !important;}â?• cspt-responsive-css=â?•
58716809|colbreak_no||||15||15|colbreak_no||||60||60||colbreak_no|||||||||colbreak_no|||||||||â?•
][vc_column css=â?•vc_custom_1648631214443{padding-top: 0px !important;padding-right: 0px
!important;padding-bottom: 0px !important;padding-left: 0px !important;}â?•]

divis



gland pharma



hetero



laurus



msn



mylan



nagarjuna



neuland



sai-solutions



sami-labs



sarca



vasudha



VASUDHA PHARMA CHEM LIMITED

virchows

default watermark



vivimed



Vivimed

biocon



clariant



zenfold



novopor



Novopor
advanced science...delivered

deccan

default watermark

deccan
Fine Chemicals (India) Pvt. Ltd.

glochem



GLOCHEM INDUSTRIES PVT. LTD.

maithri



MAITHRI

credo



sriam



salvo



fertis

default watermark

FERTIS

aurobindo



bhel



[/vc_column][/vc_row]

Date Created

April 6, 2022

Author

admin

default watermark